

'PREMIER' Gastro 1/1 Trolley Load Profile 325mm

FINISH

- Stainless steel 25x25mm formed tubular frame
- Welded stainless 1.5mm trayslides – fitted with end stops

MODEL CODE

10 tier model = PGT-1/1-10
 15 tier model = PGT-1/1-15
 20 tier model = PGT-1/1-20

DIMENSIONS 455x654x1650mm high (includes bumpers)

LOAD CAPACITY

Max load per level = 20kg
 Max load per trolley = 200kg

TRAYSLIDE PITCH

10 tier model = 135mm
 15 tier model = 90mm
 20 tier model = 69mm

FEATURES

- One piece formed sides
- Blast Chiller compatible
- Trayslide end stops for safe transportation
- Stainless grade 304 throughout
- 125mm non-marking castors (2x braked)

OPTIONS

- Food quality, clear cover
- 'C' profile anti-tilt trayslides

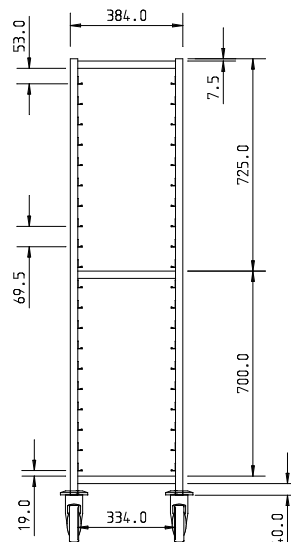
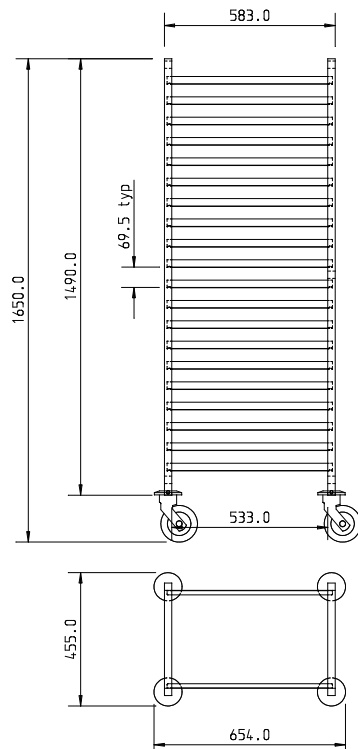
NET WEIGHT 18kgs

USAGE

- Coldroom
- Freezer
- Kitchen / Prep
- Defrost

BESPOKE

- These are available upon request



* shows typical 20 tier unit